

CBCS SCHEME

17AU45

IV Semester B.E Degree Examinations June/July 2019

AUTOMOBILE ENGINEERING (AU)

COMPUTER AIDED MACHINE DRAWING

Time: 3 Hours

Max. Marks: 100

- Note:**
1. Answer any ONE question from each of the parts A, Band C.
 2. Use **FIRST ANGLE** projection only.
 3. Missing data if any may suitably Assumed.
 4. All the calculations should be on answer sheet supplied.
 5. All the dimensions are in mm.
 6. **Part C Assembled View should be in 3D and other 2 views in 2D.**

Sl. No.	Question	Marks
PART A		
Q.No.1	A Pentagonal pyramid of 20mm edge of base and 40mm high stands vertically with its base on HP and an edge of the base perpendicular to VP. A section plane perpendicular to HP and inclined 30° to VP cuts the pyramid such that it passes through the pyramid at a shortest distance of 5mm from its axis and in front of it. Draw its sectional front view and project the true shape of the section.	20
Q.No.2	Draw the following views for the given machine component shown in fig1. a) Front View b) Top view	20

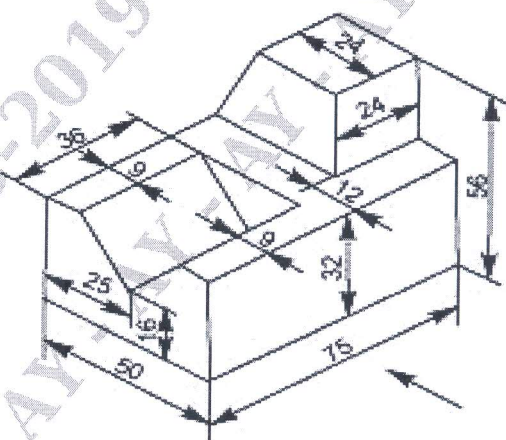


Fig. 1

