



USN

--	--	--	--	--	--	--	--	--	--	--	--	--	--	--	--	--	--	--	--

18ME36A/18MEA306/18MA36

Third Semester B.E. Degree Examination, December 2019

COMPUTER AIDED MACHINE DRAWING

Time: 3 Hours

Max. Marks: 100

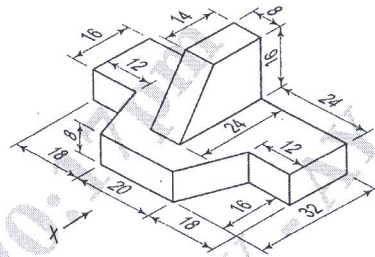
- Note: 1. Answer any one question from each of the parts A,B,C
2. Use **FIRST ANGLE** projection only.
3. Missing data if any may suitable be assumed
4. All the calculations should be on answer sheet supplied
5. All the dimensions are in mm
6. Part C Assembled View should be in 3D and the other 2 views in 2D

PART-A

Q. No. 1 Figure shows a machine component. Draw the following:

(25 Marks)

- (a) Front view
(b) Top view and
(c) Side view from left



Q. No. 2 Draw the conventional form of following threads for pitch 40 mm at least 3 threads each a) Acme thread b) ISO thread.

(25 Marks)

PART-B

Q. No. 3 Draw a knuckle joint to connect two rods of 25 mm diameter showing sectional front view and top view. Indicate all the proportions with dimensions.

(25 Marks)

Q. No. 4 Draw two views of a Protected type flanged coupling of diameter of shaft of 25mm.

(25 Marks)

PART-C

Q. No. 5 Figure: 1 Shows the details of "Plummer block". Assemble the parts and draw the following: a) Sectional front view b) Top view

(50 Marks)

Q. No. 6 Figure:2 Shows the details of "Lever safety valve". Assemble the parts and draw the following: a) Sectional front view b) Top view

(50 Marks)

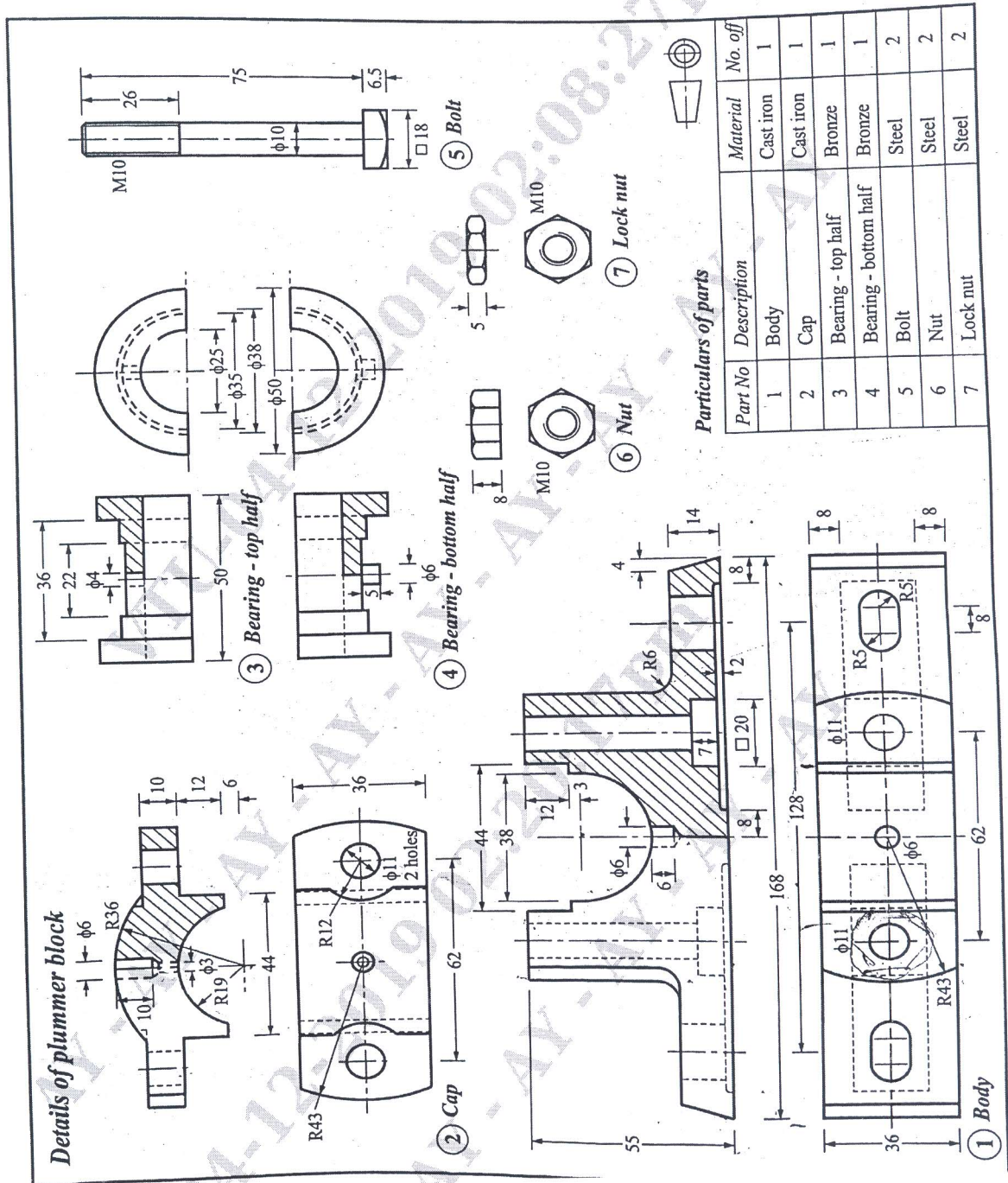
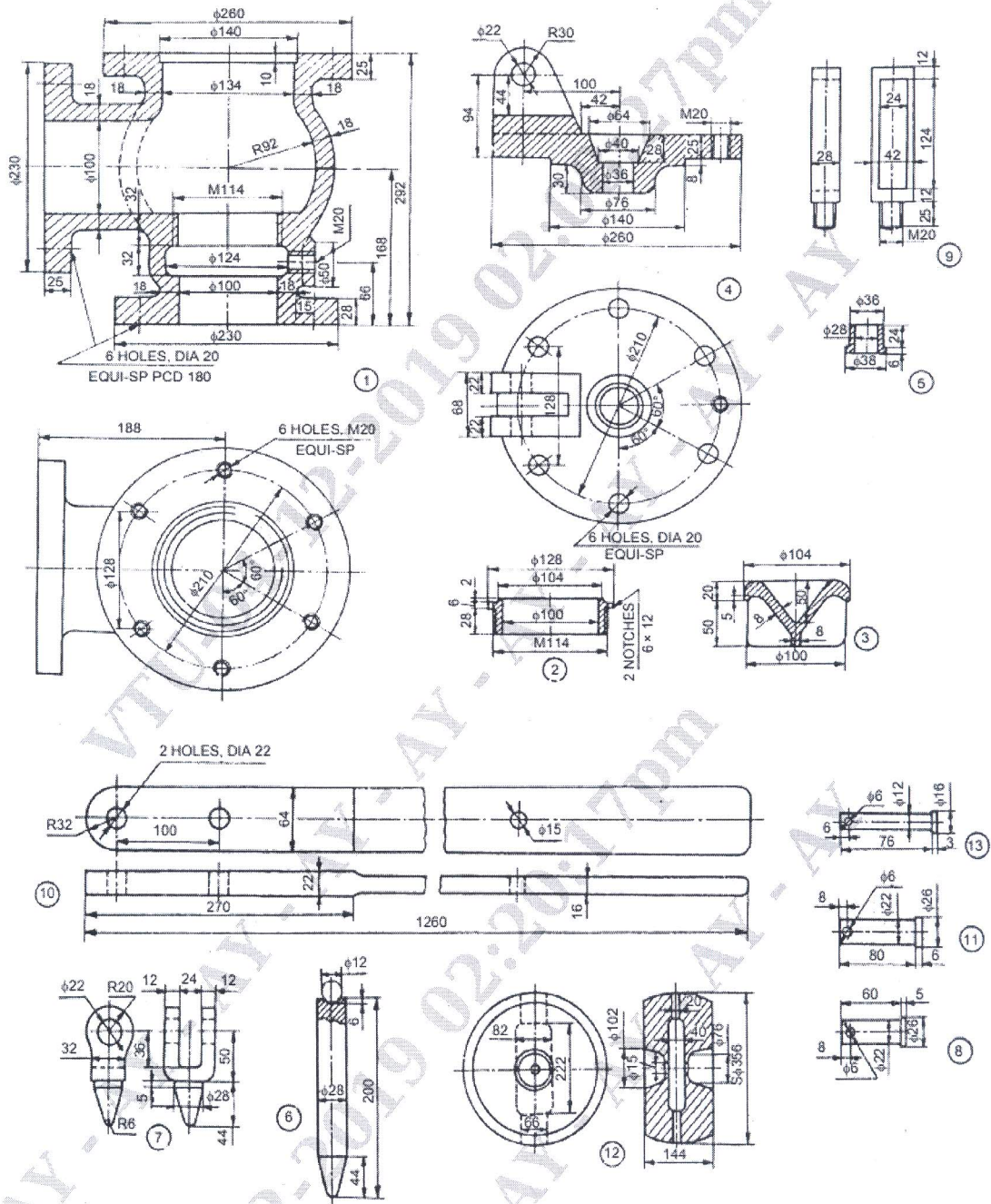


Figure 1: Details of Plummer Block



Parts list

Part No.	Name	Matl	Qty	Part No.	Name	Matl	Qty
1	Body	CI	1	8	Toggle-pin	MS	1
2	Valve seat	GM	1	9	Lever guide	MS	1
3	Valve	GM	1	10	Lever	FS	1
4	Cover	CI	1	11	Fulcrum pin	MS	1
5	Cover bush	Brass	1	12	Weight	CI	1
6	Spindle	MS	1	13	Lever pin	MS	1
7	Toggle	MS	1	14	Stud with nut M20	—	6

Figure 2: Details of Lever safety valve