

18ME36A/18MEA306/18MA36

USN

--	--	--	--	--	--	--	--	--	--

Third Semester B.E. Degree Examination, December 2019

COMPUTER AIDED MACHINE DRAWING

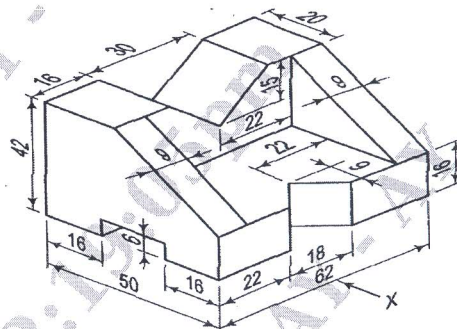
Time: 3 Hours

Max. Marks: 100

- Note: 1. Answer any one question from each of the parts A,B,C
2. Use **FIRST ANGLE** projection only.
3. Missing data if any may suitable be assumed
4. All the calculations should be on answer sheet supplied
5. All the dimensions are in mm
6. **Part C Assembled View should be in 3D and the other 2 views in 2D**

PART-A

- Q. No. 1** Figure shows a machine component. Draw the following: **(25 Marks)**
- (a) Front view
 (b) Top view and
 (c) Side view from left



- Q. No. 2** Draw two views of Square headed bolt with nut of size M30 X 120 **(25 Marks)**

PART-B

- Q. No. 3** Draw a knuckle joint to connect two rods of 25 mm diameter showing sectional front view and top view. Indicate all the proportions with dimensions. **(25 Marks)**
- Q. No. 4** Draw two views of a split muff coupling of diameter of shaft of 25mm. **(25 Marks)**

PART-C

- Q. No. 5** Figure: 1 Shows the details of "Tailstock of lathe". Assemble the parts and draw the following: a) Sectional front view b) Top view **(50 Marks)**
- Q. No. 6** Figure:2 Shows the details of "Screw Jack". Assemble the parts and draw the following: a) Sectional front view b) Top view **(50 Marks)**

USN									
-----	--	--	--	--	--	--	--	--	--

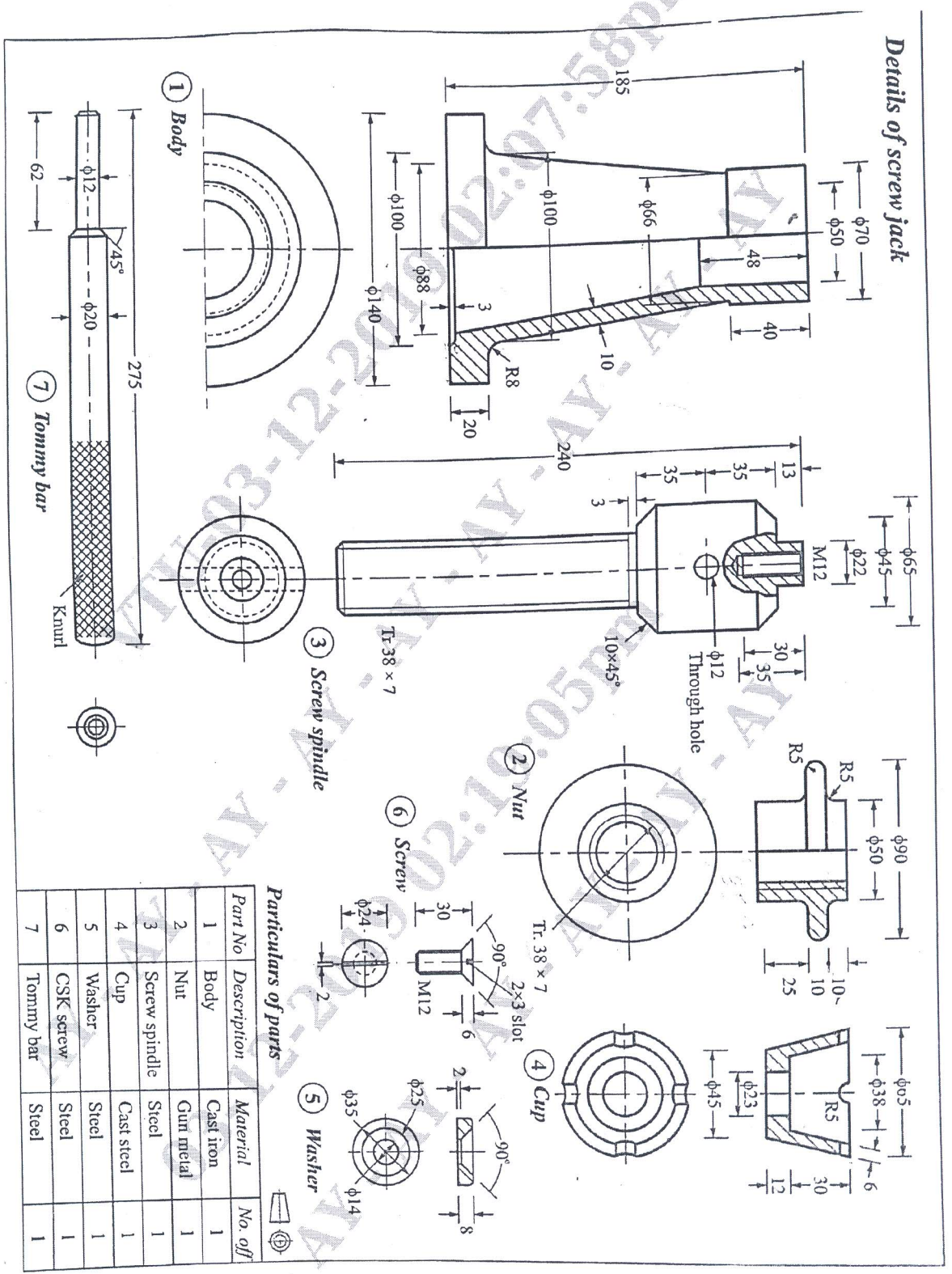


Figure 2: Details of Screw Jack