

Fourth Semester B.E. Degree Examination, Jan./Feb. 2021

(Automobile Engineering)

COMPUTER AIDED MACHINE DRAWING

Time: 3 Hours

Max. Marks: 80

- Note:**
1. Answer any ONE question from each of the parts A, B and C.
 2. Use **FIRST ANGLE** projection only.
 3. Missing data if any may suitably be assumed.
 4. All the calculations should be on answer sheet supplied.
 5. All the dimensions are in mm.
 6. **Part C Assembled View should be in 3D and other 2 views in 2D.**

PART - A

Q.No.1 Draw the following profiles :
a) BSW thread b) Sellers thread **(15 Marks)**

Q.No.2 Draw the orthogonal views for the following figure 1. **(15 Marks)**

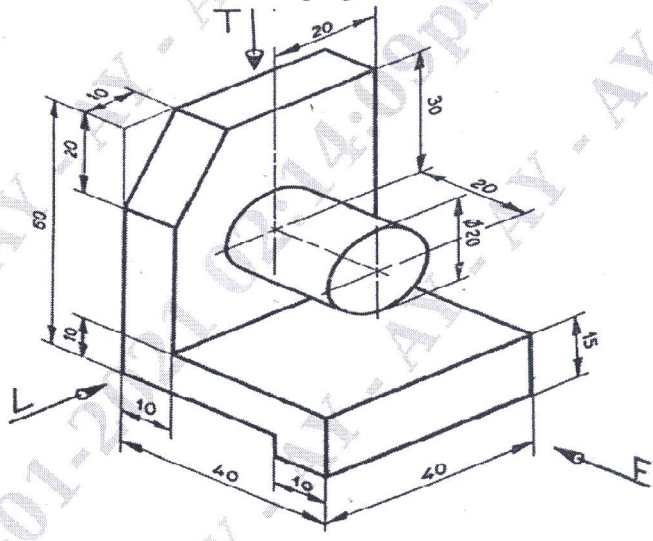


Figure 1

PART - B

Q.No.3 Draw the top view and sectional front view of single riveted lap joint. The thickness of the plate is 9mm. Show at least 3 rivets in each row. **(15 Marks)**

Q.No.4 Draw the sectional front view of a knuckle joint to connect two shafts of diameter 20mm. Indicate dimensions. **(15 Marks)**

PART - C

Q.No.5 Following figure 2 shows the details of Plummer block. Assemble the parts of Plummer block and draw i) Right half sectional view ii) Top view. **(50 Marks)**

Q.No.6 Details of I C engine piston are shown in figure 3. Assemble the parts and draw the following views. i) Sectional front view ii) Top view. **(50 Marks)**

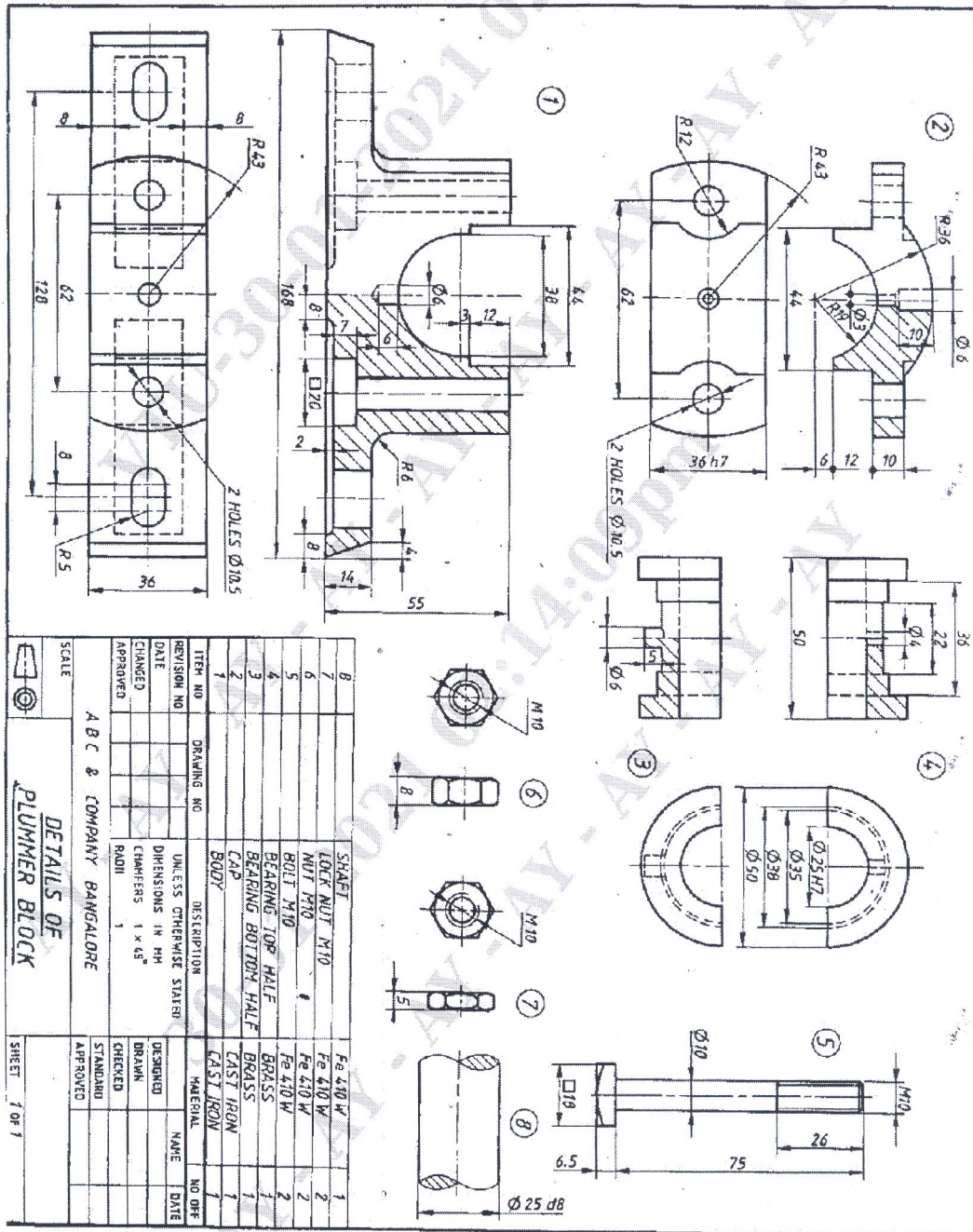


Figure 2

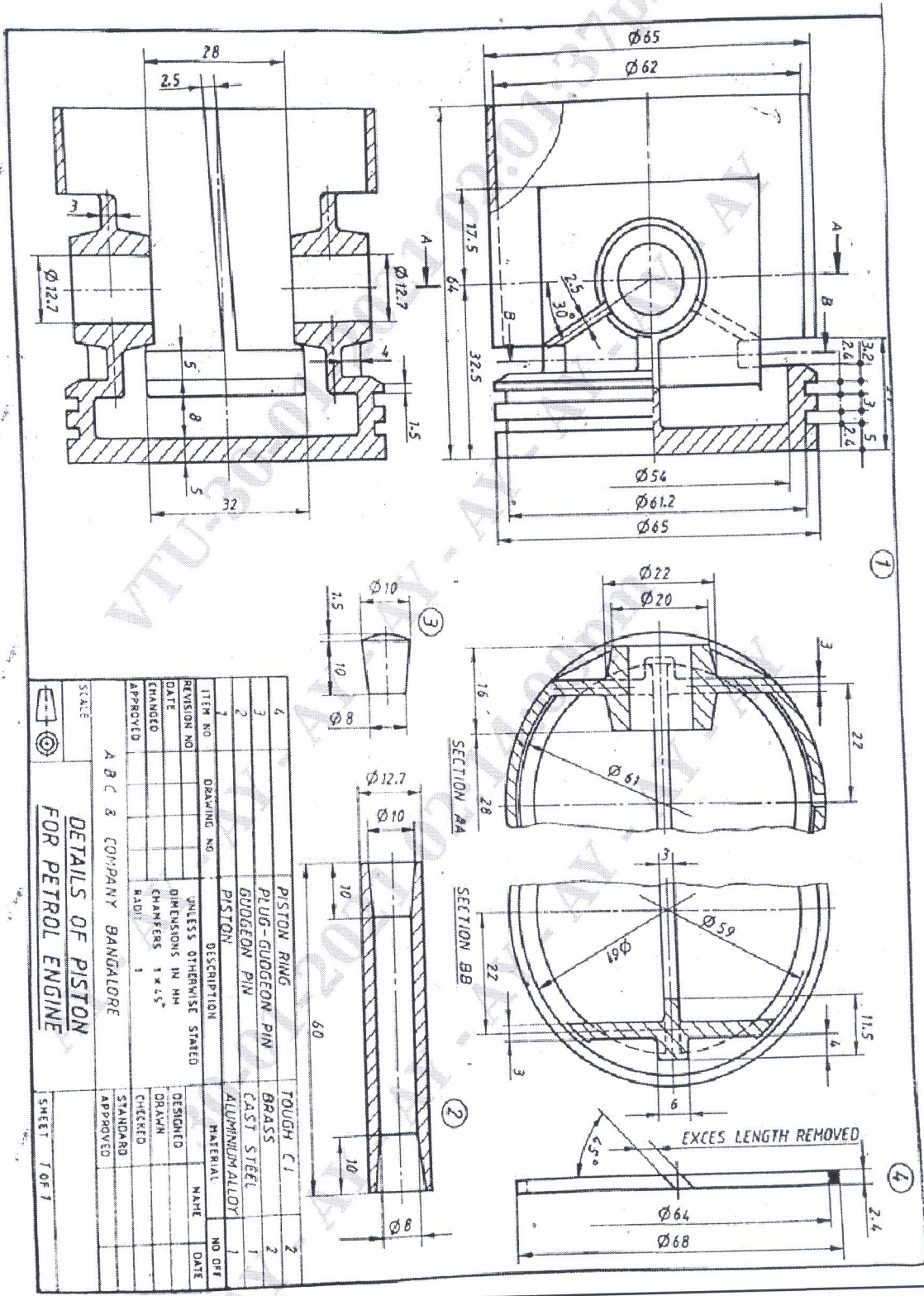


Figure 3