

Fourth Semester B.E. Degree Examination, July/August 2022
(Automobile Engineering)

COMPUTER AIDED MACHINE DRAWING

Time: 3 Hours

Max. Marks: 100

- Note: 1. Answer any ONE question from each of the parts A, B and C.
2. Use **FIRST ANGLE** projection only.
3. Missing data, if any, may be suitably assumed and clearly stated.
4. All calculations should be performed on the answer sheet supplied.
5. All the dimensions are in mm.
6. Drawing instruments may or may not be used for sketching.
7. Part C Assembled View should be in 3D and other 2 views in 2D.

PART - A

1. Using First Angle Projection, Draw the Orthographic Views of the object 20 Marks shown in fig (1) below.

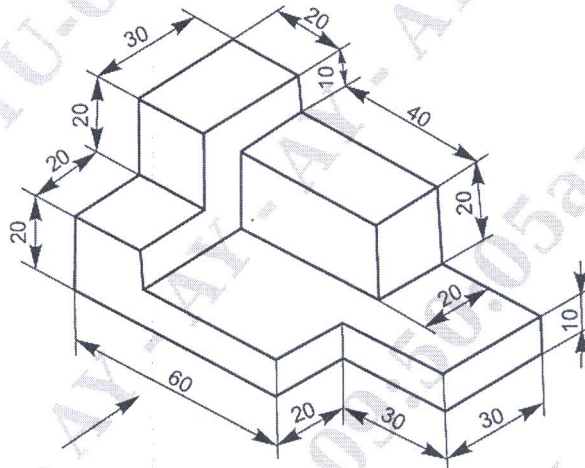


Fig (1)

OR

2. Draw the squared nut and bolt of diameter 25mm show at least two number of 20 Marks views.

PART - B

3. Draw to 1:1 scale, the top view and sectional front view of a single riveted Butt 20 Marks joint with double cover plate. The thickness of plate is 9mm. Show atleast 3 rivets in each row.

OR

4. Draw the Muff coupling to connect shafts as per the instruction given. 20 Marks
i) Front view
ii) Right side view. Diameter of the shaft : 25mm

PART - C

5. Details of 'PLUMMER BLOCK' are shown in following Figure 2. **60 Marks**
 Assemble the parts and draw the following views of the assembly.
 i. Sectional Front View ii. Top View

OR

6. Details of 'CONNECTING ROD' are shown in following Figure 3. **60 Marks**
 Assemble the parts and draw the following views of assembly.
 i) Sectional Front view ii) Top view

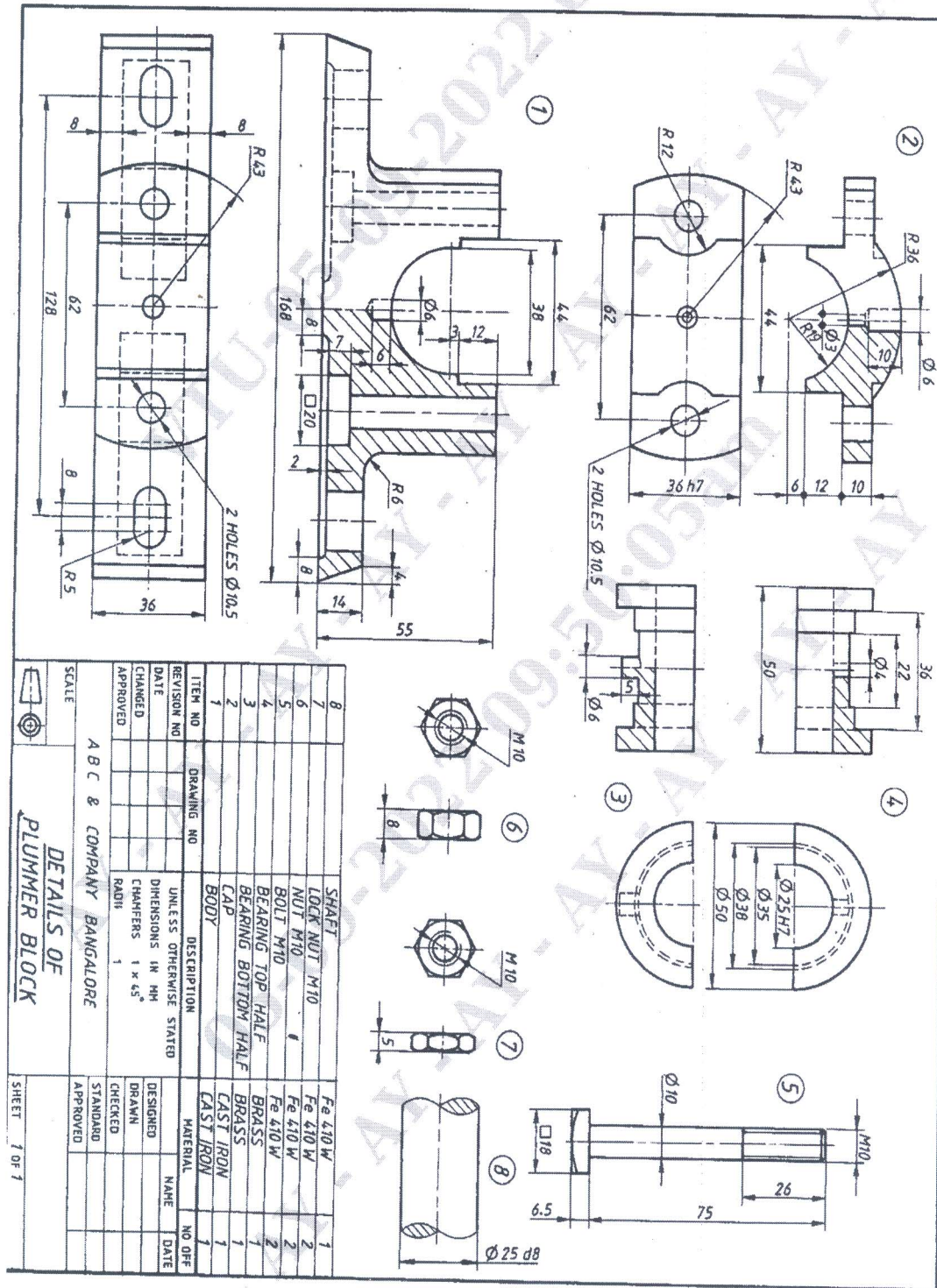


Figure 2

